

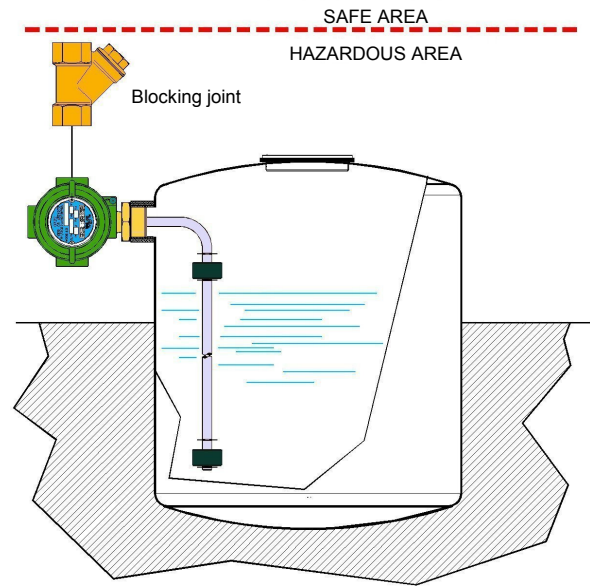
**APPROVED IN ACCORDANCE WITH THE EUROPEAN STANDARD 94/9/EC - ATEX**



These instruments, explosion-proof certified **CESI 03 ATEX 272 Ext.2 II 1/2G Exd IIB IIC T5/T6 Ga/Gb**, are used to control the level of liquids or fuel in tanks, both underground and outdoors, installed in hazardous areas where flammable products are treated.

### GENERAL CHARACTERISTICS

- Brass – Spansil – Stainless steel rod
- Up to 4 switch points.
- Maximum working pressure 20 bar.
- Standard working temperature up to 100°C.
- Executions up to 120°C on request.
- Operating ambient temperature -40/+40°C = T6, -40/+60°C = T5
- Minimum degree of protection IP66.
- Built-in temperature sensors, on request.  
PT – PTC – NTC – Thermostat (Thermoprotector).



### FLOATS

Tab.1



<b>Material</b>	Spansil – Butadiene - Acrylonitrile Copolymer											
<b>Specific gravity</b>	0,59	0,44	0,4	0,45	0,4	0,35	0,45					
<b>Contact type</b>	3	3	6D	3	6D	3	3	6D	4	6	4	6
<b>Max N. contacts</b>	1	1	1	3	4	4	4	4				
<b>Max. bar</b>	10				20							
<b>Max. °C - Class</b>				L = 100°C								
<b>On request</b>				M = 120°C								

### ELECTRICAL CONTACTS

Tab.2

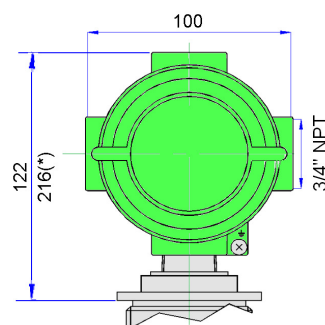
TYPE	POWER		VOLTAGE		CURRENT	
	VA	W	AC	DC	AC	DC
SPST 3	70	50	300	350	0,5	0,7
SPST 4	80	80	250	250	1,3	1,3
SPDT 6	60	60	230	230	1	1
SPDT 6D	20	20	150	150	0,5	0,5

### ELECTRICAL OUTPUT

Tab.3

<b>E1</b>	IP66 Housing Max. 18 terminals
-----------	-----------------------------------

**Heatsink** - see dimension (\*)      **Temperature class** M



## PROCESS CONNECTION Tab.4

Float type	Installation from outside – available thread and flanges							
	20 3/4"	25 1"	32 1 1/4"	40 1 1/2"	50 2"	FOHX Flange	DN50 Flange	DN65 Flange
B13	G-C-N	-	-	-	-	-	-	-
B22	G-C-N	G-C-N	-	-	-	•	-	-
B28	G-C-N	G-C-N	-	-	-	•	-	-
B15	-	G-C-N	-	-	-	-	-	-
B20	-	G	G-C-N	-	-	•	•	-
B45	-	G	G-C-N	G-C-N	-	•	•	-
B44	-	-	-	G	G-C-N	•	•	•

### Male thread

G	C	N
Cylindrical UNI 228/1	Conical UNI 7/1	Conical NPT

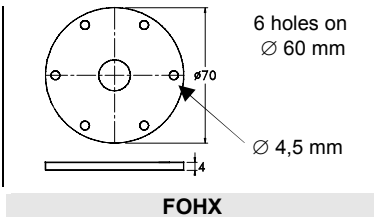
### Available materials

O	S
Brass	AISI-316 On request

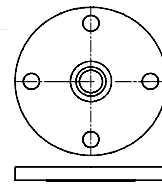
### DN = Available materials

C	S
Steel	AISI-316 On request

### FLANGES Dimensions in mm.



FOHX



DN = UNI – DIN – ANSI flanges

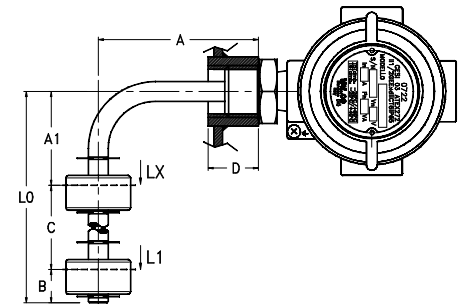
## WIRING Tab.5

I	Independent	Separately wired contacts	1	NO	Contacts status in no level conditions
C	Common	Common wired contacts	2	NC	
S	Custom	Contacts wired on request	3	SPDT	

## SWITCH POINTS - minimum value in mm. Tab.6

Switch points L1+L4 are measured from the axis of fitting or flange connection. Tolerances  $\pm 3$  mm.

	Minimum distance in mm.							
	B13	B22	B28	B15	B20	B45	B44	
A min.	60	60	60	55	60	60	80	
A1 min.	60	60	60	55	60	75	80	
B	25	25	25	20	20	40	40	
C	-	-	-	35	40	75	75	
D max. ▶	18	22	24	25	24	24	36	
Contact type	3	3 6D	3 6D	3	3 6D	4 6	4 6	
Max. N. contacts	1	1	1	3	4	4	4	



## OPTION – Built-in temperature sensor

On request, it is possible to install a temperature sensor located at the bottom of the rod inside the instrument.

PT100 – PT1000	PTC	NTC	TRP ( Thermoprotector )
EN 60751 – IEC 751	Resistance at 25°C $\leq 500 \Omega$	Resistance at 25°C 2-5-10-50-100 K $\Omega$	70°C + 120°C - 10°C step
Class B – A (on request)	Temperature 60°C + 120°C	Precision $\pm 5\%$ / $\pm 3\%$ (on request)	Precision $\pm 5\%$ Differential 40°C

## NOMENCLATURE

L2	B45	4	0350/0100	S	25	G	O	E1	L	I22	L1+L4	
•												Number of contacts L1+L4
	•											Tab.1 Float
		•										Tab.2 Electrical contact
			•									- Total length = L0 mm / Length A mm. (See drawing)
				•								- Stainless steel rod material
					•							Tab.4 Process connection dimension
						•						Tab.4 Process connection thread
							•					Tab.4 Process connection material
								•				Tab.3 Electrical output
									•			Tab.1 Temperature class
										•		Tab.5 Wiring and contact status
											•	Tab.6 Switch points (mm)

All level controls Exd certified must be connected by interposing the appropriate blocking joints according to the European Standard EN 50018.

We reserve the right to change the data without notice

BE#210/1-01/2014